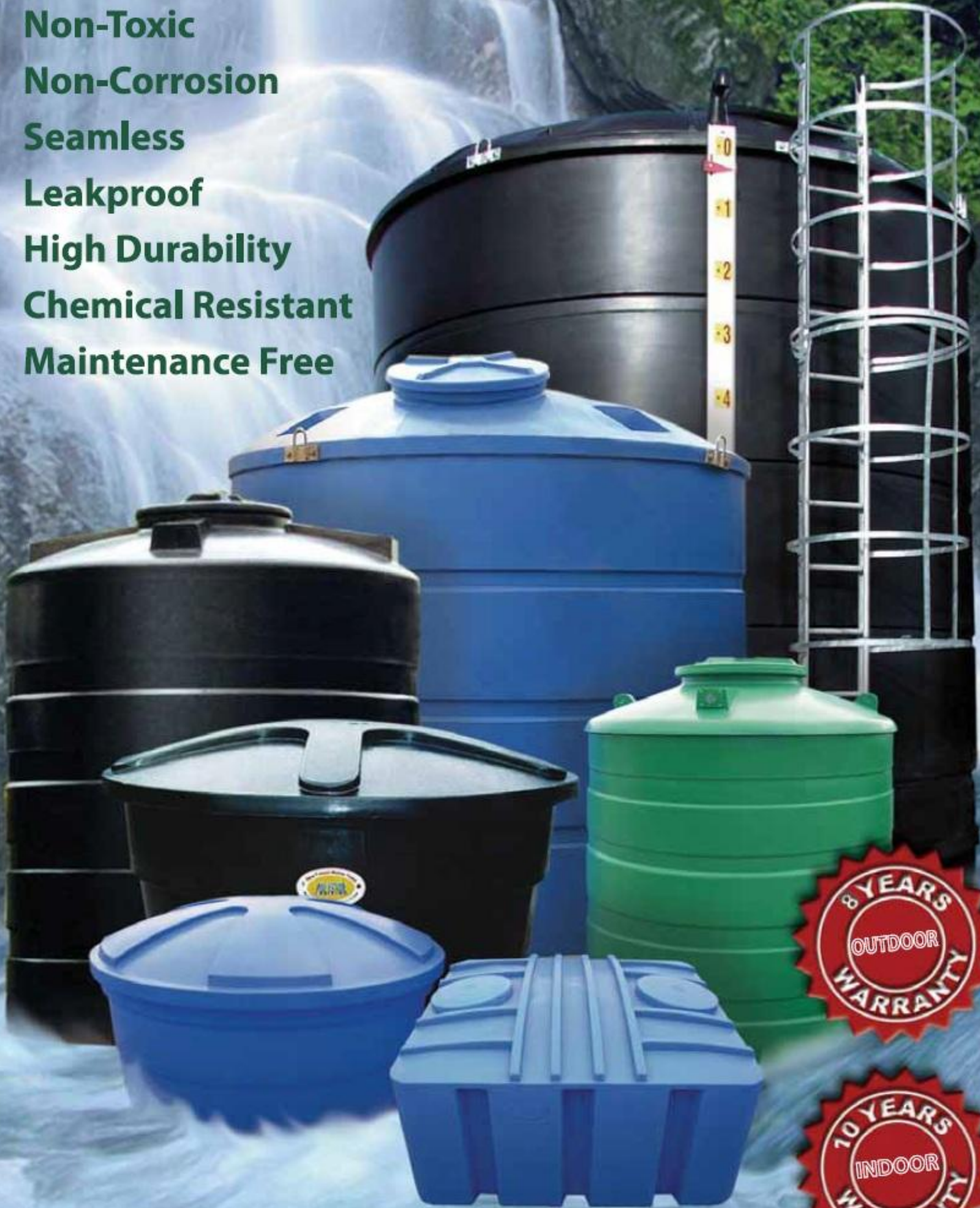


POLYSTOR[®]

POLYETHYLENE TANK

- UV Resistant
- Non-Toxic
- Non-Corrosion
- Seamless
- Leakproof
- High Durability
- Chemical Resistant
- Maintenance Free



8 YEARS
OUTDOOR
WARRANTY

10 YEARS
INDOOR
WARRANTY

PRODUCT FEATURES AND ADVANTAGE



STANDARDS

Designed to ASTM D1998-91. Full compliance with Malaysian Standard MS1225 Part 1 : 2007 and Part 2 : 2006.

SIRIM Product Certification License.



STRONG, SEAMLESS AND LEAKPROOF

One-piece seamless construction guarantees leak proof tanks that are strong and rugged.



LIGHTWEIGHT FOR EASY HANDLING

Lightweight and rugged properties facilitate easy and fast handling, transportation and installation.



FOOD/POTABLE WATER COMPLIANT

Manufactured from virgin food grade Polyethylene resins from reputable manufacturers. Does not impart any toxicity, taste or odour. Confirmatory Lab Tests and Certificates for potable water.



EXTENSIVE RANGE

Available from 315 litres (70 gallons) to 45,000 litres (10,000 gallons) in a wide range of shapes and configurations to suit specific requirement.



MODULAR INSTALLATION SYSTEM

Simple connections of several modular tanks. Multiple tanks system can be installed to cater to large storage capacity requirements.



COMPLETE RANGE OF ACCESSORIES

Can be supplied with accessories like inlet and outlet connections, valves, level indicators, fittings, ladder, access opening, pumping systems, stirrers and sensors.



MAINTENANCE FREE

No painting or corrosion-protection coating required.



CHEMICAL AND UV RESISTANT

Polyethylene is resistant to most chemicals making Polystor ideal as storage for a wide range of chemicals.

The UV resistance allows the tanks to last more than 20 years.



QUALITY ASSURANCE

Consistent quality achieved through systematic product and material testing programme.

Quality Control (QC) ensures premium quality with standard warranty of 10 years.



COMPREHENSIVE TECHNICAL SUPPORT

Technical services are provided to customers in the planning, designing and construction of the tank system.



NATIONWIDE NETWORK

With factories and offices in Sarawak, Sabah and West Malaysia, we offer comprehensive, reliable and efficient customer services throughout the nation.

CUSTOMIZE TANK SIZE / CAPACITY

Our company is capable and feasible to tailor made customize tank to suit project requirement in term of dimensional or capacity.

APPLICATIONS

■ Small Tanks

Domestic Household
Shophouses
Schools
Clinics
Government/Teacher's Quarters
Aquaculture
Plantations
Construction Sites

■ Medium Tanks

Commercial Complexes
Factories

Apartments/Condominiums
Resorts
Parks/Gardens
Farms
Mosques/Temples/Churches

■ Large Tanks

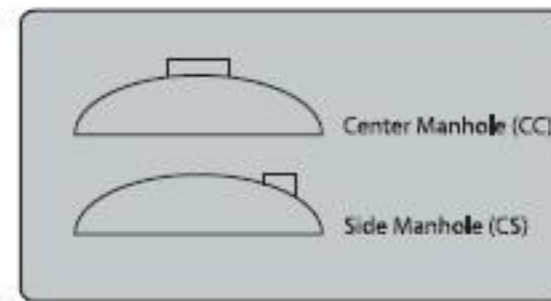
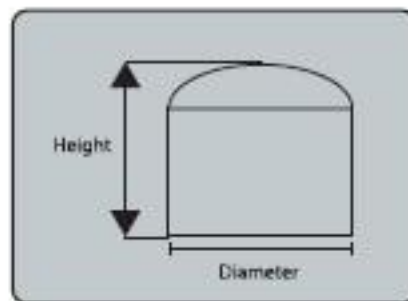
Public Water Supply
Schools
Hotels/Resorts
Factories/Processing Plants
Commercial Buildings/Shophouses
Government Buildings
Office Complexes
Apartments/Condominiums

Range of Products :

- Cylindrical Tank**
- Square Tank**
- Rectangular Tank**
- Tapered Tank – Round & Square**

Cylindrical Tank

- Small-sized Tank
- Medium-sized Tank
- Large-sized Tank



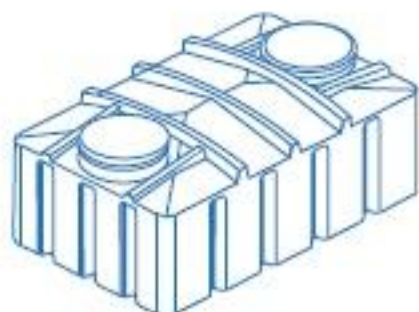
SMALL SIZED TANKS						
MODEL	CAPACITY (EFFECTIVE)		DIMENSIONS			
	GALLONS	LITRES	DIAMETER		OVERALL HEIGHT	
			MM	INCHES	MM	INCHES
R10CC	200	1,000	1,220	48	1,290	51
R11CD	250	1,125	1,366	54	1,295	51
R12CC	260	1,200	1,220	48	1,490	59
R15CC	330	1,500	1,220	48	1,790	70
R18CC	400	1,800	1,300	51	1,760	69

MEDIUM SIZED TANKS						
MODEL	CAPACITY (EFFECTIVE)		DIMENSIONS			
	GALLONS	LITRES	DIAMETER		OVERALL HEIGHT	
			MM	INCHES	MM	INCHES
R27CC	600	2,700	1,500	59	2,030	80
R40CS-(S)	890	4,000	2,390	94	1,034	41
R40CC	1,000	4,500	1,750	69	2,175	86
R55CS	1,200	5,500	2,010	79	2,155	85
R68CS	1,500	6,800	2,400	94	1,980	78
R68CS-(2)	1,500	6,800	1,600	63	3,917	154
R72CS	1,800	7,200	2,080	82	2,920	115
R90CS	2,000	9,000	2,580	102	2,400	95

LARGE SIZED TANKS						
MODEL	CAPACITY (EFFECTIVE)		DIMENSIONS			
	GALLONS	LITRES	DIAMETER		OVERALL HEIGHT	
			MM	INCHES	MM	INCHES
R135CS-(2)	3,000	13,500	3,060	120	2,650	104
R135CS-(3)	3,000	13,500	2,500	98	3,300	130
R150CS	3,300	15,000	2,400	94	3,900	150
R180CS	4,000	18,000	3,060	120	3,400	130
R230CS-(2)	5,000	23,000	3,060	120	3,900	150
R230CS-(3)	5,000	23,000	3,700	146	2,830	111
R270CS	6,000	27,000	3,060	120	4,600	180
R300CS	6,700	30,000	3,000	118	4,880	190
R320CS	7,000	32,000	3,200	126	4,680	180
R360CS	8,000	36,000	3,300	130	5,150	200
R450CS	10,000	45,000	3,300	130	6,400	250

Model : Series/Body Type/Opening Type
 CC = Non Stackable, Manhole At Centre
 CS = Non Stackable, Manhole At Side

Rectangular & Square Tank



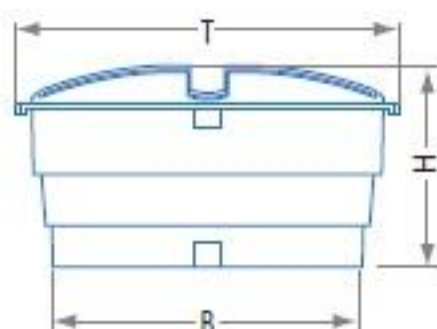
MODEL	CAPACITY (MAXIMUM)		DIMENSIONS				OVERALL HEIGHT	
	GALLONS	LITRES	LENGTH		WIDTH			
			MM	INCHES	MM	INCHES	MM	INCHES
RT2.0CB	50	230	1,100	44	600	24	330	13
RT2.3CC	50	230	900	36	700	28	450	18
RT4.5CB(2)	100	450	1,300	52	800	32	520	21
RT6.2CB	150	680	1,350	54	705	28	800	32
SQ6.8CB	150	680	1,100	44	1,100	44	625	26
SQ9.0CB(2)	200	900	1,220	49	1,230	49	680	27
SQ11CB	250	1,100	1,360	54	1,360	54	840	34

Tapered Tank

ROUND TAPERED TANK SERIES

MODEL	CAPACITY		DIMENSIONS				LIST PRICE (RM)		
	EFFECTIVE GALLONS (LITRES)	MAXIMUM GALLONS (LITRES)	TOP		BOTTOM			HEIGHT	
			MM	INCHES	MM	INCHES		MM	INCHES
R-N70/100	70 (318)	100 (455)	1,240	49	1,020	40	680	27	190.00
R-N100/150	100 (455)	150 (682)	1,310	52	990	39	850	33	245.00
R-N150/200	150 (682)	200 (909)	1,520	60	1,220	48	800	31	330.00
R-N150/200(S)	150 (91)	200 (909)	1,290	51	1,000	39	1,050	41	330.00
R-N200/250	200 (909)	250 (1136)	1,560	61	1,220	48	1,060	42	460.00
R-N200/250(S)	200 (909)	250 (1136)	1,290	51	960	38	1,185	47	410.00
R-N250/300(2)	250 (1135)	300 (1362)	1,635	64	1,325	52	1,080	42	490.00
R-N250/300(S)	250 (1135)	300 (1362)	1,575	62	1,335	53	970	38	490.00
R-N300/350	300 (1362)	350 (1589)	1,610	63	1,260	50	1,400	55	600.00
R-N350/400	350 (1589)	400 (1816)	1,615	64	1,270	50	1,500	59	650.00
R-N400/500	400 (1816)	500 (2270)	1,855	73	1,425	56	1,470	58	820.00
R-N500/600	500 (2270)	600 (2724)	1,880	74	1,535	60	1,445	57	1,000.00

- Round & Square

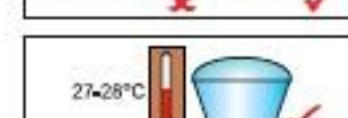
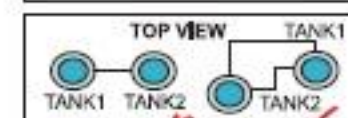
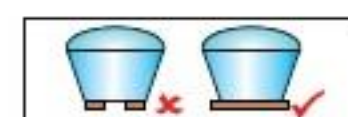


SQUARE TAPERED TANK SERIES

MODEL	CAPACITY		DIMENSIONS				LIST PRICE (RM)		
	EFFECTIVE GALLONS (LITRES)	MAXIMUM GALLONS (LITRES)	TOP		BOTTOM			HEIGHT	
			MM	INCHES	MM	INCHES		MM	INCHES
S-N100/150	100 (455)	150 (682)	1,340	54	1,030	41	700	28	290.00
S-N150/200	150 (682)	200 (909)	1,512	60	1,160	46	710	28	385.00
S-N200/250	200 (909)	250 (1136)	1,594	64	1,215	48	825	33	480.00
S-N250/300	250 (1136)	300 (1362)	1,596	64	1,175	47	1,100	44	620.00

TAPERED TANK INSTALLATION INSTRUCTIONS

- The base shall be adequately and uniformly supported over its whole area. Do not place water tank on separated beams or uneven surfaces.
- Do not use any putty, solvent or joining compound. Plastics or rubber sealing washer or PTFE tapes should be used.
- Circular holes for fixing pipes shall have a clean edge, free from notches, and shall be made with a sharp hollow punch, cut with a hole saw or drilled with a sharp cutter.
- Tank should not be positioned closed to heaters, electrical bulbs or other heat sources.
- Pipe interconnections between tanks shall be by indirect angled connections or direct straight connections with flexible expansion joints.
- Tanks should be used for storage of liquid below 40°C.



PROJECT REFERENCE



Kulim Hi-tech Industrial Park, Kulim, Kedah



JBA, Kuantan



PPR Kampung Gambang, Pahang



JBA, Temerloh



Leisure Commerce Square, Bandar Sunway



DBKL Bangsar Apartment, KL



Guthrie Bukit Jelutong

POLYCHEM[®]

POLYETHYLENE CHEMICAL TANK

