

# POLYSEPT<sup>®</sup>

## SEPTIC TANK

### ● HDPE CONSTRUCTION

- Leakproof one piece seamless unit
- Strong, rugged and durable
- Impact resistant and corrosion proof
- Chemical resistant and maintenance free
- Lightweight and economical

### ● HIGH PERFORMANCE FILTER

- Proprietary HDPE filter media with:
  - ~ large surface area for optimal microorganism growth
  - ~ clog free optimised void ratio
- Removable modular chamber

### ● DESIGN AND MANUFACTURE

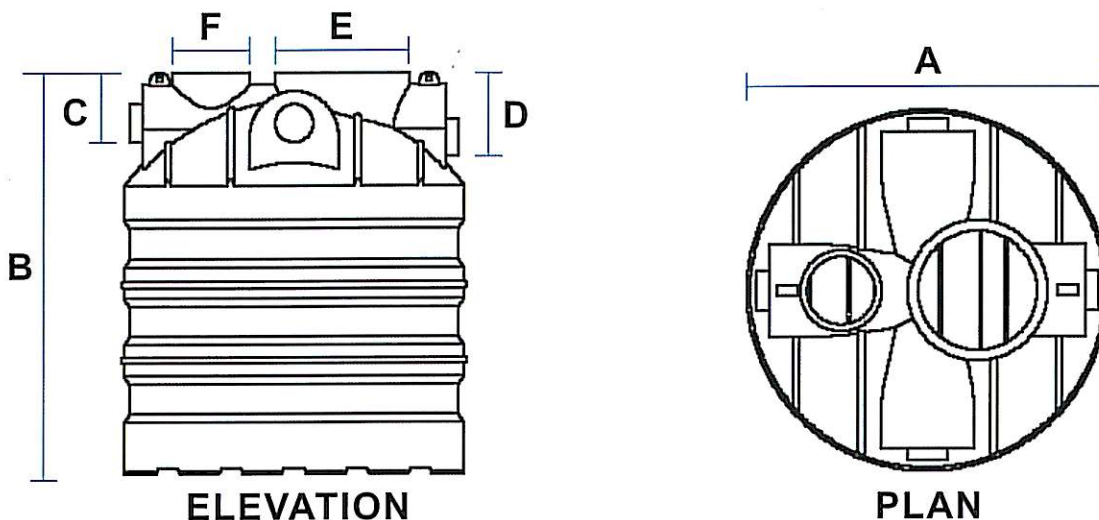
- Configuration and process designed by expert to suit local sewage flows and loading parameters
- Optimised inlet, outlet, sedimentation chamber and up-flow filter design
- Strong structural design using the latest computer analysis techniques
- Manufactured by the most modern moulding process using premium grade polyethylene resins
- Completely prefabricated for fast, easy installations



Quality Products From



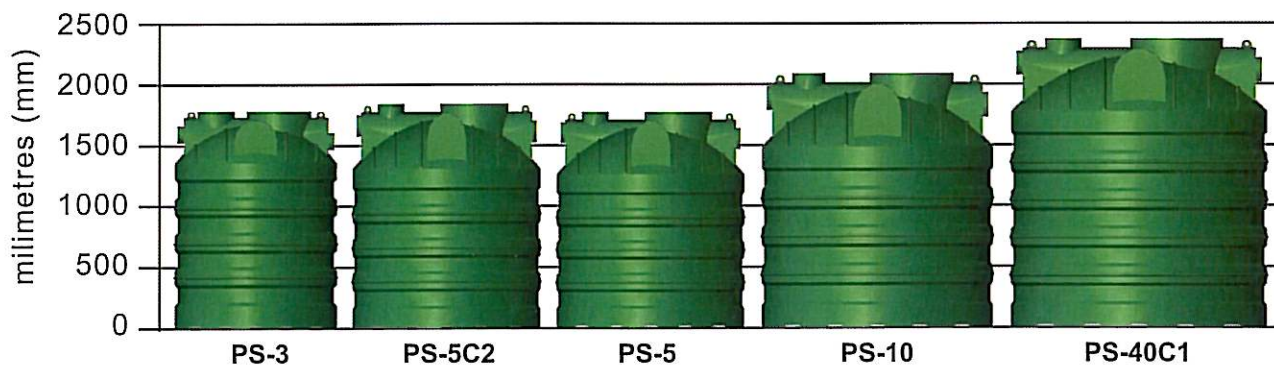
**POLYSEPT**, the modern, economical, effective, efficient and reliable solution to domestic sewage treatment. It is designed and manufactured with the latest technological innovations in terms of construction, materials used and process design. The treatment process is enhanced by a revolutionary up-flow filter chamber filled with specially designed proprietary Polyethylene filter media to ensure maximum treatment and eliminate clogging.



Alternative inlet positions are provided to suit site requirements

MODEL	PS-3	PS-5C2	PS-5	PS-10	PS-40C1
POPULATION EQUIVALENT (All Waste)	10	12	15	25	30
EFFECTIVE VOLUME litres	>2200	>2700	>3400	>5800	>6800
INLET/OUTLET DIAMETER mm	100	100	100	100	100/150
DETENTION TIME hours	>24	>24	>25	>25	>24
<b>DIMENSIONS</b>					
A mm diameter	1450	1625	1850	2150	2270
B mm	1760	1740	1730	2020	2190
C mm	210	220	220	210	200
D mm	260	270	270	270	260
E mm	510 dia.	530 dia.	530 dia.	530X630	530X694
F mm	310 dia.	310 dia.	310 dia.	310 dia.	310 dia.

Effluent to STANDARD B - Environmental Quality (Sewage and Industrial Effluents) Regulations, 1979.



**WEIDA MARKETING SDN BHD** (Co. No. 424868-V)  
Website: [www.weida.com.my](http://www.weida.com.my)

No. 21 & 23, Jalan PJU 3/49, PJU 3,  
Sunway Damansara Technology Park,  
47810 Petaling Jaya, Selangor Darul Ehsan.  
Tel: 03-7806 2002 Fax: 03-7806 5005  
Email: [weidakl@weida.com.my](mailto:weidakl@weida.com.my)

Wisma Hock Peng, Grd - 2nd Floor,  
123, Green Heights, Jalan Lapangan Terbang,  
P.O. Box 2424, 93748 Kuching, Sarawak.  
Tel: 082-456 456 Fax: 082-459 000  
Email: [weida@weida.com.my](mailto:weida@weida.com.my)

2-9-1 & 2-9-2, 8th Floor, Wawasan Plaza,  
88000 Kota Kinabalu, Sabah  
P.O. Box 21276, 88770 Luyang, Kota Kinabalu.  
Tel: 088-264 555 Fax: 088-262 525  
Email: [weidakk@weida.com.my](mailto:weidakk@weida.com.my)