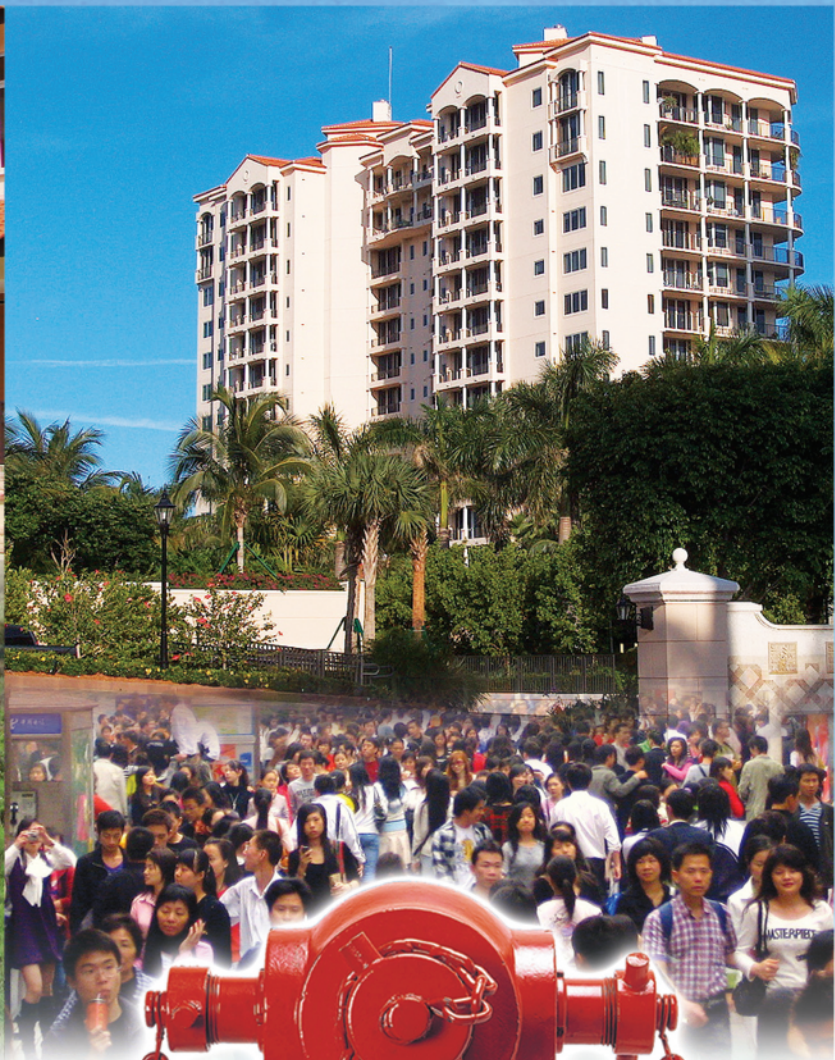


PILLAR HYDRANT



Registration No.: 1205



The Brand Of Reliability

LYE MANUFACTURING SDN. BHD. (32836-H)

Manufacturer of Valves, Hydrants, Joints, Fittings & Manhole Covers.

SALES OFFICE : Lot 36, Jalan BRP 9/2B, Putra Industrial Park, Bukit Rahman Putra, 47000 Sg. Buloh, Selangor Darul Ehsan, Malaysia.

Tel : 603 - 6140 3131 (Hunting Line) Fax : 603 - 6140 5858 Email : lye_manufacturing@yahoo.com

FACTORY

: Lot 1844, Jalan KPB 8, Kampung Baru Belakong, 43300 Kajang, Selangor Darul Ehsan, Malaysia.

Tel : 603 - 8961 1623 Fax : 603 - 8961 1092

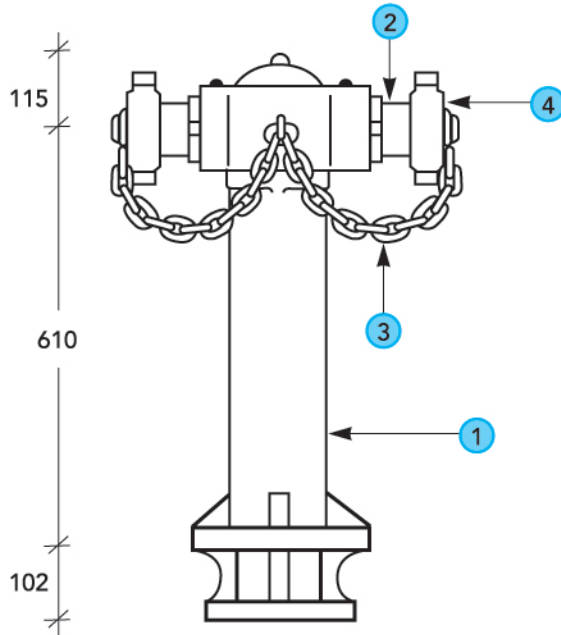
WEBSITE

: www.lye.com.my

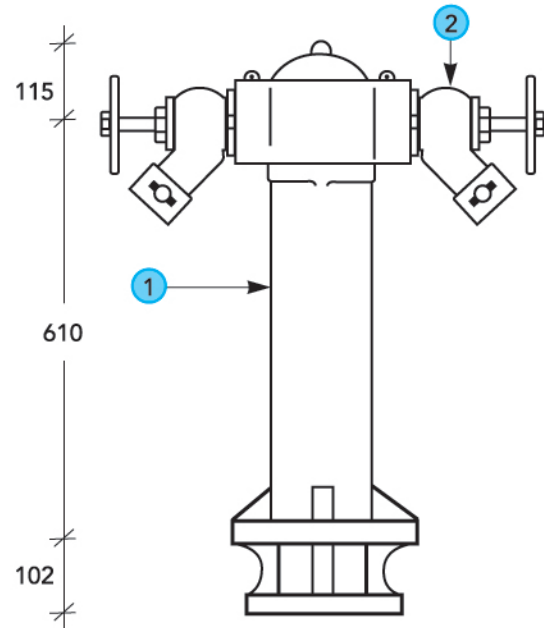
PILLAR HYDRANT

PILI BOMBA (TIANG PAIP AIR)

100mm PILLAR HYDRANT C/W OUTLET
Model : 7625



100mm PILLAR HYDRANT C/W LANDING VALVE
Model : 7625 (A)

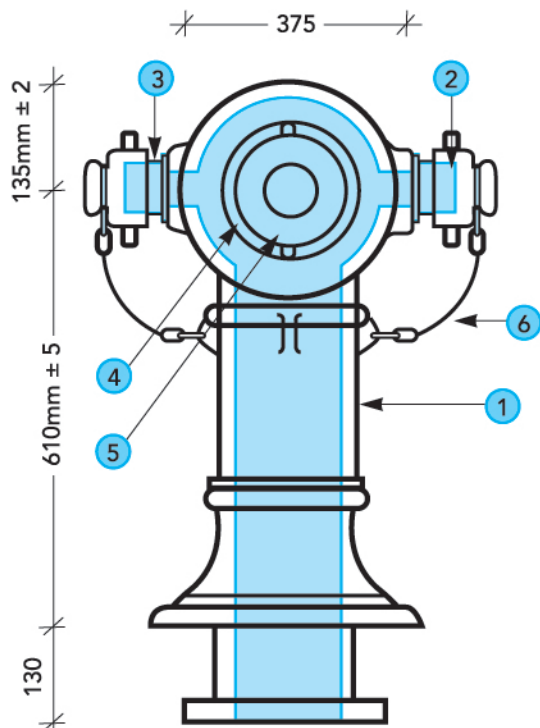


PARTS MATERIAL (DIAGRAM 1)

NO	DESCRIPTION	MATERIAL	BS. REF. NO.
1	BODY	C.IRON / D. IRON	1452 Gr.220 / EN 1563 450/10
2	OUTLET	GUN METAL	1400 LG 2
3	CHAIN	GAL IRON	—
4	CAP	C. IRON / D. IRON	1452 Gr.220 / EN 1563 450/10

PARTS MATERIAL (DIAGRAM 2)

NO	DESCRIPTION	MATERIAL	BS. REF. NO.
1	BODY	C.IRON / D. IRON	1452 Gr.220 / EN 1563 450/10
2	LANDING VALVE	GUN METAL	BS 5041



LYE 150MM 3 WAY PILLAR HYDRANT

PARTS MATERIAL (DIAGRAM 3)

NO	DESCRIPTION	MATERIAL	SIZE (mm)	BS. REF. NO.
1	BODY	C. IRON / D. IRON	150mm	1452 Gr.220 / 450 / 10
2	CAP	C. IRON / D. IRON	65mm V Thread (F)	1452 Gr.220 / 450 / 10
3	OUTLET	GUN METAL	65mm V Thread (M)	1400 LG 2
4	CAP	C. IRON / D. IRON	100mm R1 Thread (F)	1452 Gr.220 / 450 / 10
5	OUTLET	GUN METAL	100mm R1 Thread (M)	1400 LG 2
6	CHAIN	GAL IRON	10mm	—