

LYE MANUFACTURING SDN BHD

HYDRANTS

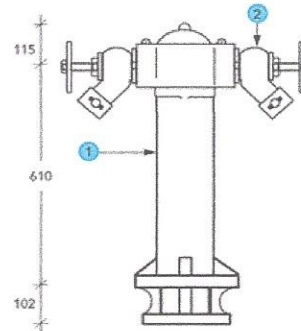
Print

LANDING VALVE



Products Description & Specifications

100mm Pillar Hydrant c/w Landing Valve



PARTS MATERIALS (DIAGRAM 2)

NO	DESCRIPTION	MATERIAL	BS. REF. NO.
1	BODY	C. IRON/ D. IRON	BS1452 Gr.220/BS EN1563 500/7
2	LANDING VALVE	GUN METAL	BS 5041

[Download PDF Brochure here](#)



LYE MANUFACTURING SDN BHD (12836-11)
 Manufacturer of Valves, Hydrants, Joints, Fittings & Manhole Covers

